


PRODUCT SHEET

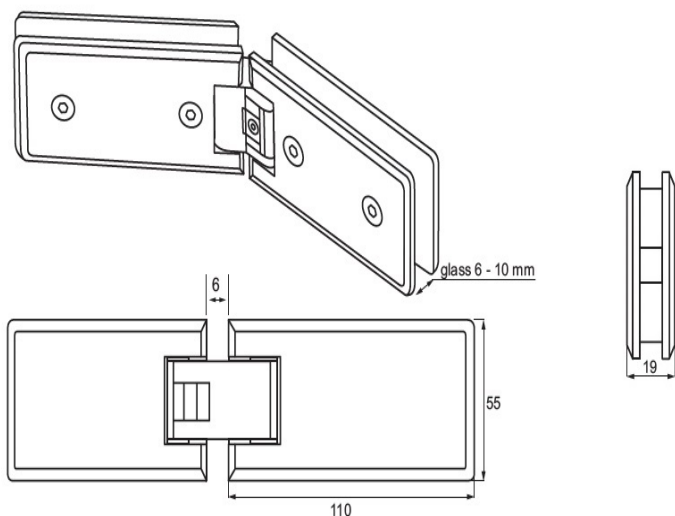
Description:

Shower Hinge "Linz", 135DG, SS-Look, Glass/Glass, 6-10 Glass Thickness, W/15DG Angle Adjustment Function & 15DG Return, Function, Brass Material, Rectangular Shape W/Chamfered, Edges

Item number:

15.26.735-5

Units	Box	Carton	HS Code	Barcode
Pcs.	1	20	8302100090	 5704866505154



SISO A/S

Mileparken 11
DK-2740 Skovlunde
Denmark
VAT: DK 24786013

Phone +45 45 830 900

www.siso.dk
siso@siso.dk

Danske Bank
Nytorv Branch
Copenhagen
SWIFT: DABADKKK

Account no.
4180 3112 112936
IBAN Account
DK7230003112112936